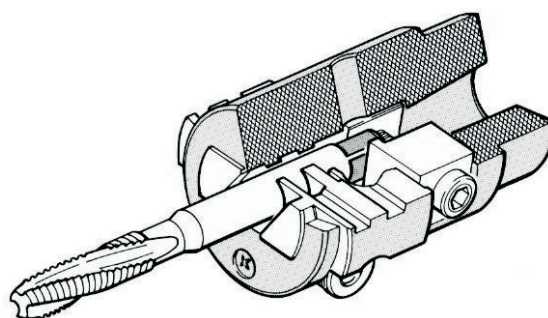
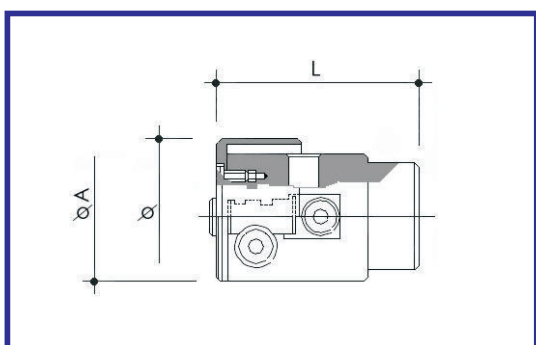


MANDRINI PER MASCHIATRICI IN ESECUZIONE A DUE GRIFFE E GRIFFE SUPPLEMENTARI AUTOCENTRANTI PER TRASCINAMENTO MASCHIO

CHUCKS FOR TAPPING MACHINES WITH TWO SELF-CENTERING JAWS AND ADDITIONAL ONES FOR THE DRAGGING OF THE MALE CONNECTOR

CODICE CODE	APERTURA OPENING MM	CONO CONE DIN 238/2	CHIAVE KEY Esag. Exagon	A MM	L MM
PL010N0012	0+10	B 12	6	42	73
PL010N0016	0+10	B 16	6	42	73
PL013N0016	0+13	B 16	6	50	82
PL013N0018	0+13	B 18	6	50	82
PL016N0016	0+16	B 16	7	55	87
PL016N0018	0+16	B 18	7	55	87
PL020N0022	0+20	B 22	8	62	96
PL026N0024	0+26	B 24	8	75	130

PALC



CODICE CODE	APERTURA OPENING MM	CONO CONE DIN 238/2	CHIAVE KEY Esag. Exagon	B MM	L MM
PL010C0012	0+10	B 12	6	55	73
PL010C0016	0+10	B 16	6	55	73
PL013C0016	0+13	B 16	6	62	82
PL013C0018	0+13	B 18	6	62	82
PL016C0016	0+16	B 16	7	74	87
PL016C0018	0+16	B 18	7	74	87
PL020C0022	0+20	B 22	8	84	96
PL026C0024	0+26	B 24	8	99	130

PALC 46

